



FILTRATION & FERTIGATION
SCREEN FILTERS

FILTRATION & FERTIGATION

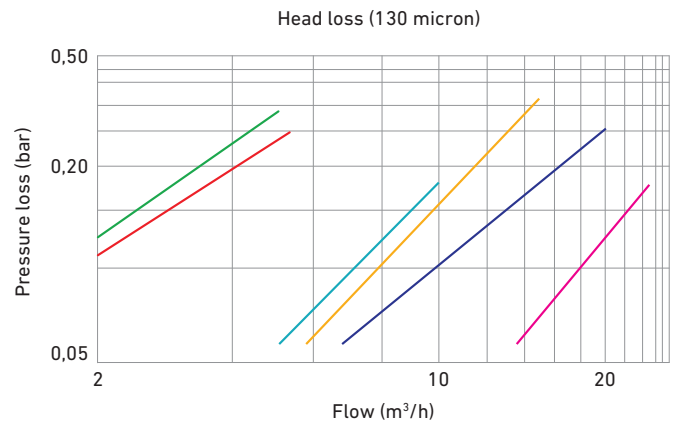
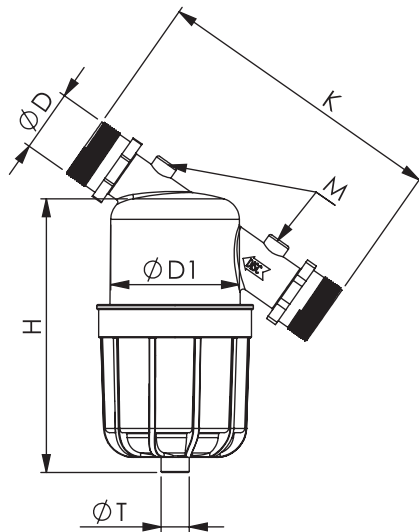
SCREEN FILTERS



MINI PLASTIC SCREEN FILTER

Body material: PP
 Cartridge material: PA & SS 304
 Max working pressure: 8 bar
 Max working temperature: 60 °C
 Filtration degree: 130 micron

Product code	D inch	M inch	T inch	D1 mm	H mm	K mm	Flow m ³ /h	Filtration area cm ²	Weight kg
025 MPE M04 000 005	¾"	-	½"	68	190	160	5	165	0,3
032 MPE M10 000 006	1"	-	½"	68	190	160	6	165	0,3
032 MPE M10 000 010	1"	-	½"	96	230	220	10	300	0,75
050 MPE M13 000 015	1 ½"	-	½"	96	230	220	15	300	0,75
050 MPE M13 000 020	1 ½"	¼"	½"	120	280	270	20	515	1,2
063 MPE M20 000 025	2"	¼"	½"	120	280	270	25	515	1,2



025 MPE M04 000 005 — 032 MPE M10 000 010 — 050 MPE M13 000 020 —
 032 MPE M10 000 006 — 050 MPE M13 000 015 — 063 MPE M20 000 025 —



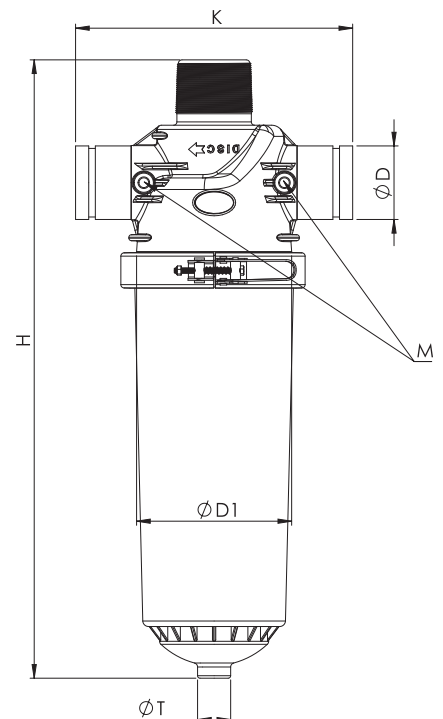
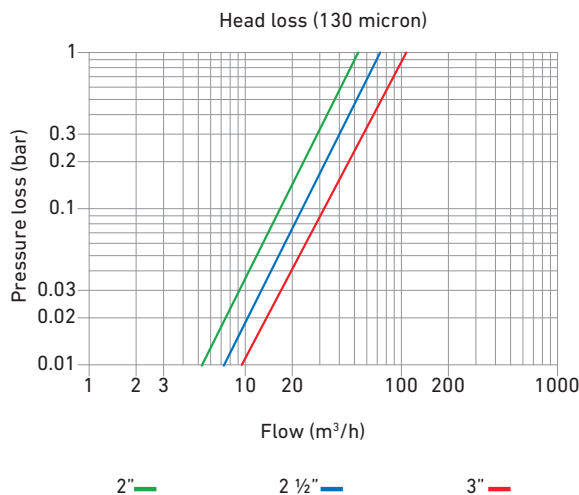
PLASTIC SCREEN FILTER

Body material: PA6GFR30
 Cartridge material: PA & SS 304
 Max working pressure: 8 bar
 Max working temperature: 60 °C
 Filtration degree: 130 micron
 Thread: BSP

Product code	D inch	M inch	T inch	D1 mm	H mm	K mm	Flow m ³ /h	Filtration area cm ²	Clamp	Weight kg
063 PSE M20 B0P 020	2"	¼"	¾"	190	500	335	20	760	Plastic	5,2
063 PSE M20 B0C 020	2"	¼"	¾"	190	500	335	20	760	Chrome	5,2
063 PSE M20 B0P 030	2"	¼"	¾"	190	600	335	30	1140	Plastic	5,4
063 PSE M20 B0C 030	2"	¼"	¾"	190	600	335	30	1140	Chrome	5,4
063 PSE M20 B0P 035	2"	¼"	¾"	190	750	335	35	1520	Plastic	6,3
063 PSE M20 B0C 035	2"	¼"	¾"	190	750	335	35	1520	Chrome	6,3
075 PSE M23 B0P 035	2 ½"	¼"	¾"	190	600	335	35	1140	Plastic	5,5
075 PSE M23 B0C 035	2 ½"	¼"	¾"	190	600	335	35	1140	Chrome	5,5
075 PSE M23 B0P 040	2 ½"	¼"	¾"	190	750	335	40	1520	Plastic	6,4
075 PSE M23 B0C 040	2 ½"	¼"	¾"	190	750	335	40	1520	Chrome	6,4
090 PSE M30 B0P 045	3"	¼"	¾"	190	600	335	45	1140	Plastic	5,6
090 PSE M30 B0C 045	3"	¼"	¾"	190	600	335	45	1140	Chrome	5,6
090 PSE M30 B0P 050	3"	¼"	¾"	190	750	335	50	1520	Plastic	6,5
090 PSE M30 B0C 050	3"	¼"	¾"	190	750	335	50	1520	Chrome	6,5

*The first digit of the fourth triple group in the product code represents the thread. Set this digit as "N" for NPT orders.

**The second digit of the fourth triple group in the product code represents the filtration degree. Filtration degree options are as follows: (0) 130 micron, (1) 100 micron, (5) 200 micron



FILTRATION & FERTIGATION

SCREEN FILTERS



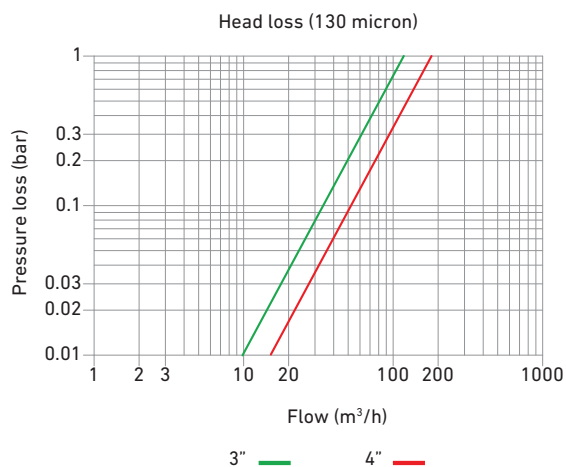
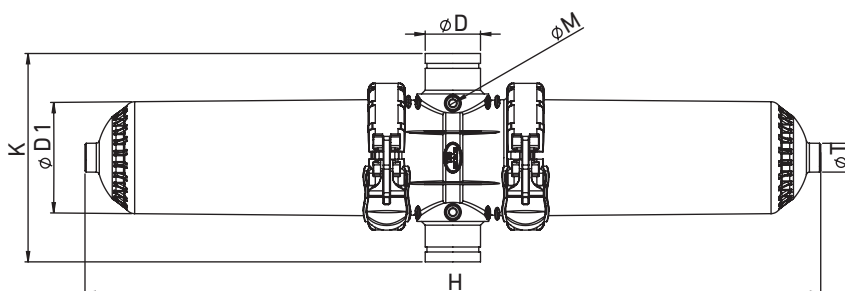
DOUBLE PLASTIC SCREEN FILTER

Body material: PA6GFR30
 Cartridge material: PA & SS 304
 Max working pressure: 8 bar
 Max working temperature: 60 °C
 Filtration degree: 130 micron
 Thread: BSP

Product code	D inch	M inch	T inch	D1 mm	H mm	K mm	Flow m ³ /h	Filtration area cm ²	Clamp	Weight kg
090 DPE M30 B0P 050	3"	¼"	¾"	190	960	340	50	2280	Plastic	8,4
090 DPE M30 B0C 050	3"	¼"	¾"	190	960	340	50	2280	Chrome	8,4
090 DPE M30 B0P 060	3"	¼"	¾"	190	1200	340	60	3040	Plastic	9,8
090 DPE M30 B0C 060	3"	¼"	¾"	190	1200	340	60	3040	Chrome	9,8
110 DPE M40 B0P 070	4"	¼"	¾"	190	960	340	70	2280	Plastic	8,6
110 DPE M40 B0C 070	4"	¼"	¾"	190	960	340	70	2280	Chrome	8,6
110 DPE M40 B0P 080	4"	¼"	¾"	190	1200	340	80	3040	Plastic	10
110 DPE M40 B0C 080	4"	¼"	¾"	190	1200	340	80	3040	Chrome	10

*The first digit of the fourth triple group in the product code represents the thread. Set this digit as "N" for NPT orders.

**The second digit of the fourth triple group in the product code represents the filtration degree. Filtration degree options are as follows: (0) 130 micron, (1) 100 micron, (5) 200 micron





HEADQUARTERS

Orhan Gazi Mah. Isiso San. Sit.
15. Yol Y Blok No: 33 34538
Esenyurt, İstanbul, Turkey
+90 212 623 23 08

FACTORY

Organize Sanayi Bölgesi Bursa
Karayolu 6. km. 2. Cd. No: 2
Çanakkale, Turkey
+90 286 214 32 07

Website www.sunstream.com.tr | **Support** info@sunstream.com.tr

© 2022 İSKO Plastik ve Kalıp San. Tic. A.Ş.