

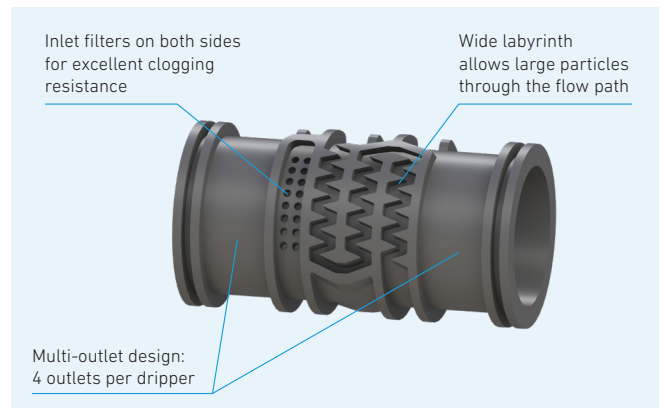


## APPLICATIONS

- Landscape
- Vineyards
- Orchards
- Greenhouse
- Row crops

## FEATURES

- Small cylindrical integral dripper, cost-effective
- Injected dripper, very low CV value (<3%)
- Large filtration area on both sides with superior clogging resistance
- Wide water passage labyrinth with turbulent flow - prevents particle settling
- Four outlets per dripper to prevent blockage from external factors
- High UV resistant
- Resistant to chemicals and fertilizers used in agriculture



## TECHNICAL DATA

Nominal diameter:

16 / 20 mm

Wall thickness:

32 mil-48 mil (0,80-1,20 mm)

Nominal flow rate (1 bar):

2,0 / 4,0 lph

Required filtration:

125 micron / 120 mesh

Dripper spacing:

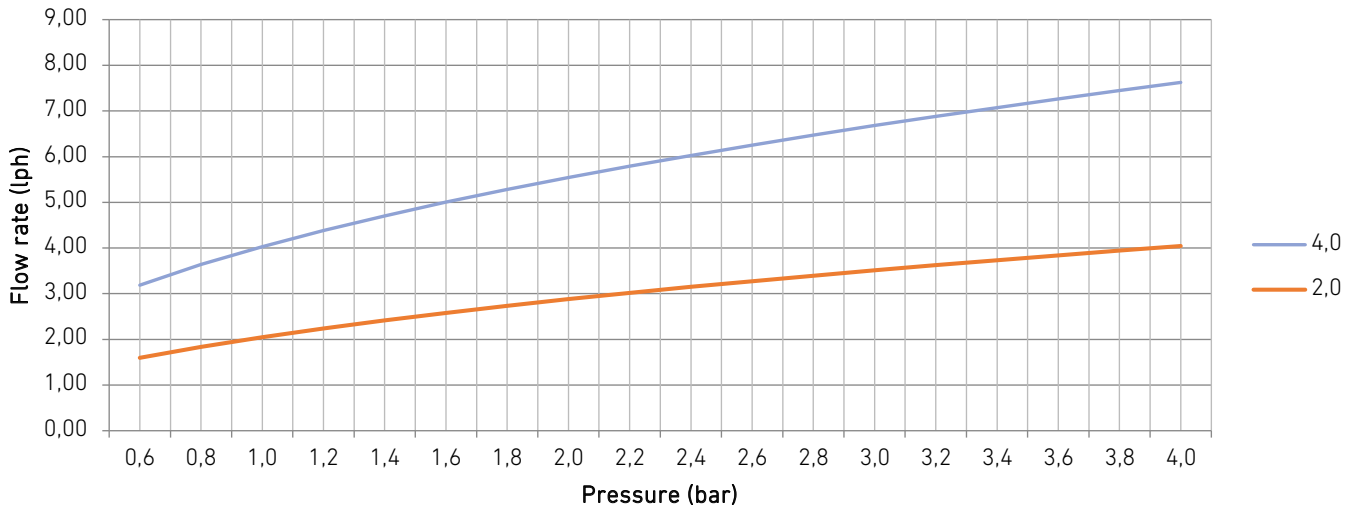
20-120 cm

Related standards:

ISO 9261 Agricultural irrigation equipment -- Emitters and emitting pipe -- Specifications and test methods

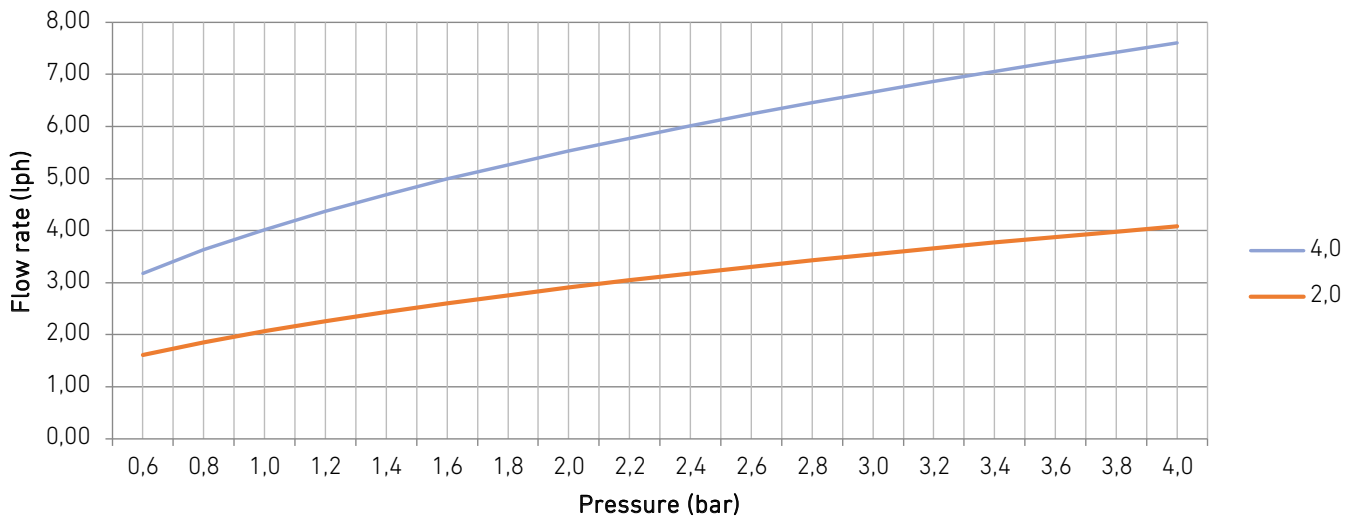


## 16 MM | FLOW RATE VS. PRESSURE



Nominal flow rate lph (1 bar)	Pressure bar																	
	0,6	0,8	1,0	1,2	1,4	1,6	1,8	2,0	2,2	2,4	2,6	2,8	3,0	3,2	3,4	3,6	3,8	4,0
2,0	1,60	1,84	2,05	2,24	2,42	2,58	2,73	2,88	3,02	3,15	3,27	3,40	3,51	3,62	3,73	3,84	3,94	4,04
4,0	3,19	3,64	4,03	4,38	4,70	5,00	5,28	5,54	5,79	6,03	6,25	6,47	6,68	6,88	7,08	7,26	7,45	7,63

## 20 MM | FLOW RATE VS. PRESSURE



Nominal flow rate lph (1 bar)	Pressure bar																	
	0,6	0,8	1,0	1,2	1,4	1,6	1,8	2,0	2,2	2,4	2,6	2,8	3,0	3,2	3,4	3,6	3,8	4,0
2,0	1,61	1,86	2,07	2,26	2,44	2,61	2,76	2,91	3,05	3,18	3,31	3,43	3,55	3,66	3,77	3,88	3,98	4,08
4,0	3,18	3,63	4,02	4,37	4,69	4,99	5,27	5,53	5,78	6,01	6,24	6,46	6,66	6,86	7,06	7,25	7,43	7,61

## 16 MM | TECHNICAL SPECIFICATIONS

Code	Wall thickness mil/mm	Inner diameter mm	Max working pressure bar	Dripper spacing cm	Coil length m
016 ROD 032 XXX XXX	32/0,80	13,8	2,5	20-120	400
016 ROD 036 XXX XXX	36/0,90	13,8	3,0	20-120	400
016 ROD 040 XXX XXX	40/1,00	13,8	3,5	20-120	400
016 ROD 044 XXX XXX	44/1,10	13,8	4,0	20-120	400

## 20 MM | TECHNICAL SPECIFICATIONS

Code	Wall thickness mil/mm	Inner diameter mm	Max working pressure bar	Dripper spacing cm	Coil length m
020 ROD 036 XXX XXX	36/0,90	17,5	2,5	20-120	300
020 ROD 040 XXX XXX	40/1,00	17,5	3,0	20-120	300
020 ROD 044 XXX XXX	44/1,10	17,5	3,5	20-120	300
020 ROD 048 XXX XXX	48/1,20	17,5	4,0	20-120	300

## CODING INFORMATION

XXX	
Nominal diameter	
16 mm	016
20 mm	020

ROD

XXX	
Wall thickness	
32 mil	032
36 mil	036
40 mil	040
44 mil	044
48 mil	048

XXX	
Dripper spacing	
20 cm	020
25 cm	025
30 cm	030
33 cm	033
40 cm	040
50 cm	050
60 cm	060
75 cm	075
100 cm	100
120 cm	120

XXX	
Flow rate	
2,0 lph	020
4,0 lph	040

## BLANK PIPE SPECIFICATIONS

Code	Wall thickness mil/mm	Inner diameter mm	Max working pressure bar	Coil length m
016 ROD 032 000 000	32/0,80	13,8	2,5	400
016 ROD 036 000 000	36/0,90	13,8	3,0	400
016 ROD 040 000 000	40/1,00	13,8	3,5	400
016 ROD 044 000 000	44/1,10	13,8	4,0	400
020 ROD 036 000 000	36/0,90	17,5	2,5	300
020 ROD 040 000 000	40/1,00	17,5	3,0	300
020 ROD 044 000 000	44/1,10	17,5	3,5	300
020 ROD 048 000 000	48/1,20	17,5	4,0	300

## 16 MM | MAX RECOMMENDED LATERAL LENGTH (M)

• Flat terrain (0% slope) • 10% Flow variation • Inlet pressure 1 bar

Nominal flow rate lph	Dripper spacing cm									
	20	25	30	33	40	50	60	75	100	120
2,0	51	61	68	73	84	97	110	127	155	180
4,0	35	41	46	49	56	65	74	86	104	117

• Flat terrain (0% slope) • 10% Flow variation • Inlet pressure 1,5 bar

Nominal flow rate lph	Dripper spacing cm									
	20	25	30	33	40	50	60	75	100	120
2,0	56	67	75	80	93	108	124	143	175	204
4,0	38	45	51	54	63	73	84	97	119	133

## 20 MM | MAX RECOMMENDED LATERAL LENGTH (M)

• Flat terrain (0% slope) • 10% Flow variation • Inlet pressure 1 bar

Nominal flow rate lph	Dripper spacing cm									
	20	25	30	33	40	50	60	75	100	120
2,0	82	97	107	114	129	148	166	189	225	259
4,0	56	65	72	77	87	100	112	128	152	168

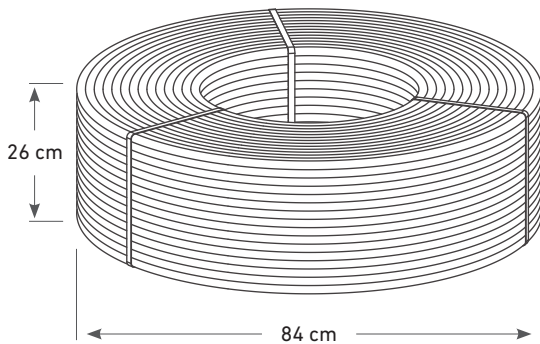
• Flat terrain (0% slope) • 10% Flow variation • Inlet pressure 1,5 bar

Nominal flow rate lph	Dripper spacing cm									
	20	25	30	33	40	50	60	75	100	120
2,0	91	107	118	126	144	165	186	212	255	294
4,0	62	72	80	85	97	111	126	144	172	191

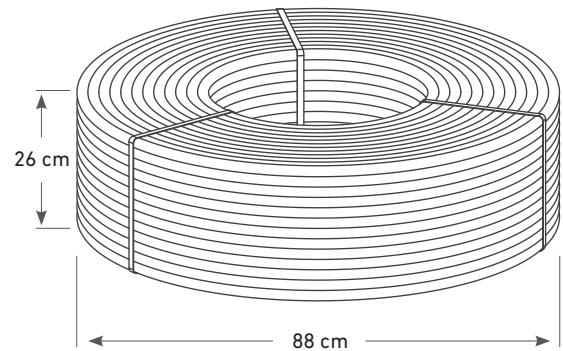
## LOADING DATA

	Coil dimensions			Number of coils per container		
	OD cm	ID cm	Height cm	20'	40'	40' HC
16 MM	84	40	26	180	369	410
20 MM	88	40	26	162	351	390

16 MM



20 MM



### HEADQUARTERS

Orhan Gazi Mah. Isiso San. Sit.  
15. Yol Y Blok No: 33 34538  
Esenyurt, İstanbul, Turkey  
Tel : +90 212 623 23 08  
Fax : +90 212 623 23 12

### FACTORY

Organize Sanayi Bölgesi Bursa  
Karayolu 6. km. 2. Cd. No: 2  
Çanakkale, Turkey  
Tel : +90 286 214 32 07  
Fax : +90 286 214 32 11

Website [www.sunstream.com.tr](http://www.sunstream.com.tr) | Support [info@sunstream.com.tr](mailto:info@sunstream.com.tr)