



FILTRATION & FERTIGATION
DISC FILTERS

FILTRATION & FERTIGATION

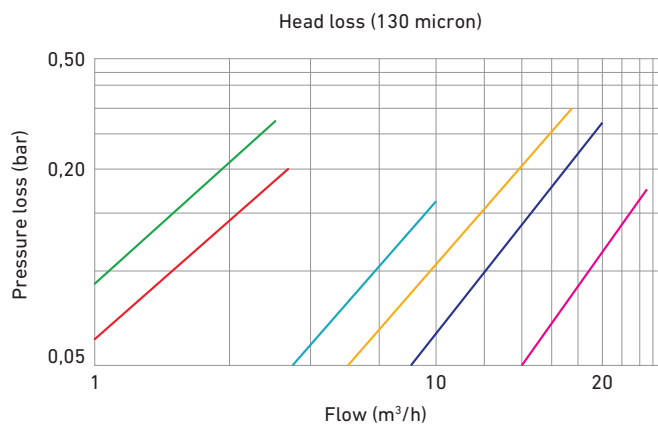
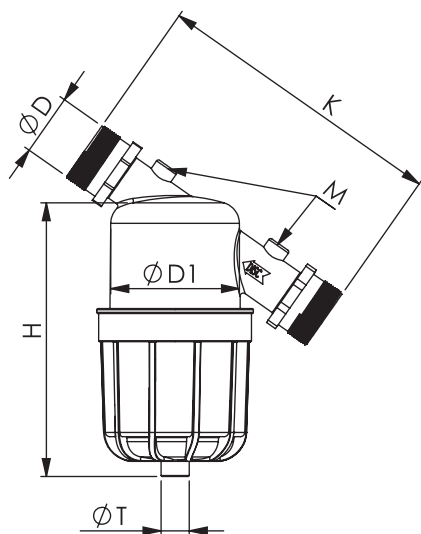
DISC FILTERS



MINI PLASTIC DISC FILTER

Body material: PP
 Cartridge material: PP
 Max working pressure: 8 bar
 Max working temperature: 60 °C
 Filtration degree: 130 micron

Product code	D inch	M inch	T inch	D1 mm	H mm	K mm	Flow m ³ /h	Filtration area cm ²	Weight kg
025 MPD M04 000 005	¾"	-	½"	68	190	160	5	185	0,45
032 MPD M10 000 006	1"	-	½"	68	190	160	6	185	0,45
032 MPD M10 000 010	1"	-	½"	96	230	220	10	325	1
050 MPD M13 000 015	1 ½"	-	½"	96	230	220	15	325	1
050 MPD M13 000 020	1 ½"	¼"	½"	120	280	270	20	550	1,5
063 MPD M20 000 025	2"	¼"	½"	120	280	270	25	550	1,5



025 MPD M04 000 005 — 032 MPD M10 000 010 — 050 MPD M13 000 020 —
 032 MPD M10 000 006 — 050 MPD M13 000 015 — 063 MPD M20 000 025 —



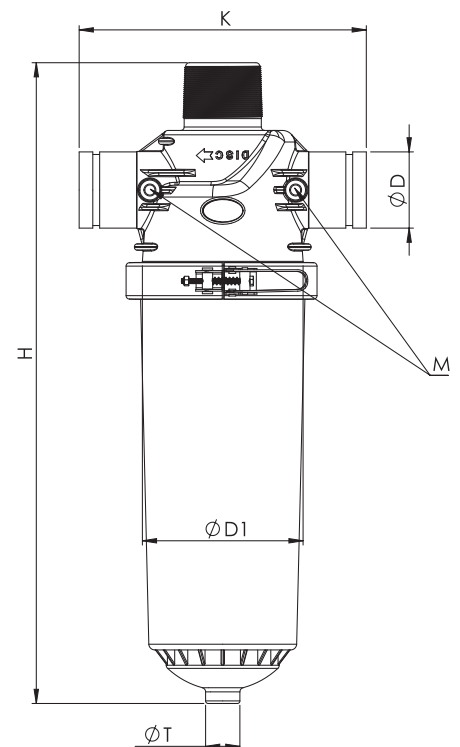
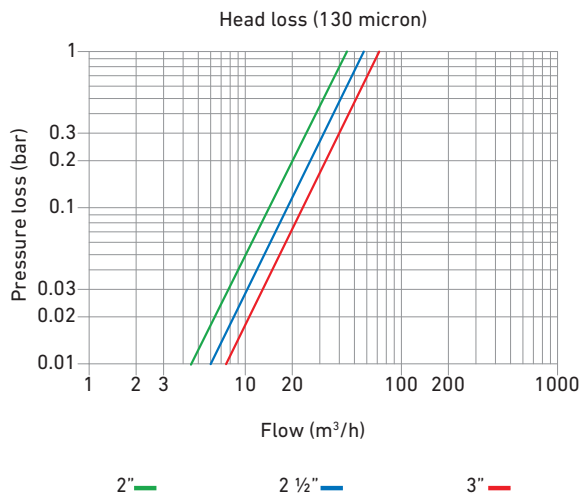
PLASTIC DISC FILTER

Body material: PA6GFR30
 Cartridge material: PP
 Max working pressure: 8 bar
 Max working temperature: 60 °C
 Filtration degree: 130 micron
 Thread: BSP

Product code	D inch	M inch	T inch	D1 mm	H mm	K mm	Flow m ³ /h	Filtration area cm ²	Clamp	Weight kg
063 PSD M20 B0P 020	2"	¼"	¾"	190	500	335	20	868	Plastic	6
063 PSD M20 B0C 020	2"	¼"	¾"	190	500	335	20	868	Chrome	6
063 PSD M20 B0P 030	2"	¼"	¾"	190	600	335	30	1302	Plastic	7
063 PSD M20 B0C 030	2"	¼"	¾"	190	600	335	30	1302	Chrome	7
063 PSD M20 B0P 035	2"	¼"	¾"	190	750	335	35	1805	Plastic	8
063 PSD M20 B0C 035	2"	¼"	¾"	190	750	335	35	1805	Chrome	8
075 PSD M23 B0P 035	2 ½"	¼"	¾"	190	600	335	35	1302	Plastic	7,1
075 PSD M23 B0C 035	2 ½"	¼"	¾"	190	600	335	35	1302	Chrome	7,1
075 PSD M23 B0P 040	2 ½"	¼"	¾"	190	750	335	40	1805	Plastic	8,1
075 PSD M23 B0C 040	2 ½"	¼"	¾"	190	750	335	40	1805	Chrome	8,1
090 PSD M30 B0P 045	3"	¼"	¾"	190	600	335	45	1302	Plastic	7,2
090 PSD M30 B0C 045	3"	¼"	¾"	190	600	335	45	1302	Chrome	7,2
090 PSD M30 B0P 050	3"	¼"	¾"	190	750	335	50	1805	Plastic	8,2
090 PSD M30 B0C 050	3"	¼"	¾"	190	750	335	50	1805	Chrome	8,2

*The first digit of the fourth triple group in the product code represents the thread. Set this digit as "N" for NPT orders.

**The second digit of the fourth triple group in the product code represents the filtration degree. Filtration degree options are as follows: (0) 130 micron, (1) 100 micron, (2) 50 micron, (3) 20 micron



FILTRATION & FERTIGATION

DISC FILTERS



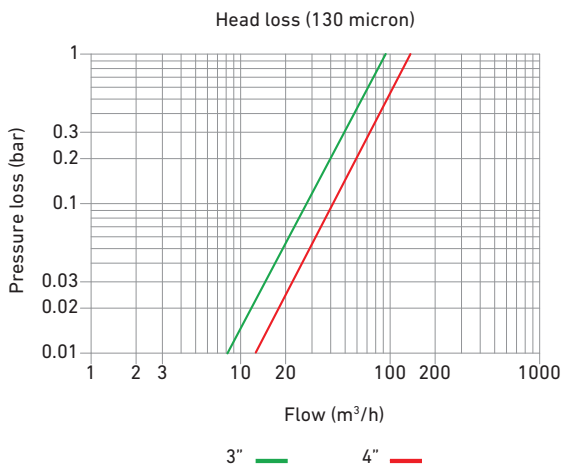
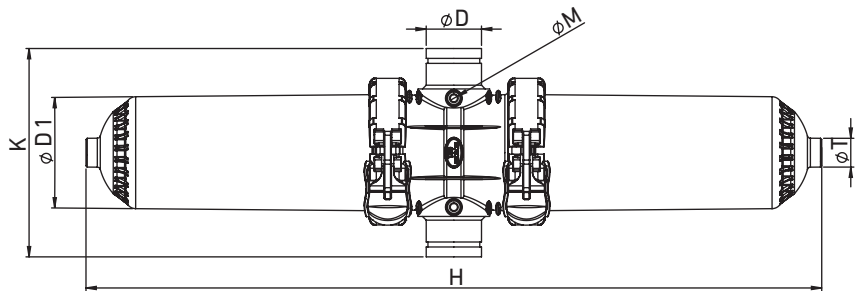
DOUBLE PLASTIC DISC FILTER

Body material: PA6GFR30
 Cartridge material: PP
 Max working pressure: 8 bar
 Max working temperature: 60 °C
 Filtration degree: 130 micron
 Thread: BSP

Product code	D inch	M inch	T inch	D1 mm	H mm	K mm	Flow m ³ /h	Filtration area cm ²	Clamp	Weight kg
090 DPD M30 B0P 050	3"	¼"	¾"	190	960	340	50	2604	Plastic	11,4
090 DPD M30 B0C 050	3"	¼"	¾"	190	960	340	50	2604	Chrome	11,4
090 DPD M30 B0P 060	3"	¼"	¾"	190	1200	340	60	3610	Plastic	13,6
090 DPD M30 B0C 060	3"	¼"	¾"	190	1200	340	60	3610	Chrome	13,6
110 DPD M40 B0P 070	4"	¼"	¾"	190	960	340	70	2604	Plastic	11,6
110 DPD M40 B0C 070	4"	¼"	¾"	190	960	340	70	2604	Chrome	11,6
110 DPD M40 B0P 080	4"	¼"	¾"	190	1200	340	80	3610	Plastic	13,8
110 DPD M40 B0C 080	4"	¼"	¾"	190	1200	340	80	3610	Chrome	13,8

*The first digit of the fourth triple group in the product code represents the thread. Set this digit as "N" for NPT orders.

**The second digit of the fourth triple group in the product code represents the filtration degree. Filtration degree options are as follows: (0) 130 micron, (1) 100 micron, (2) 50 micron, (3) 20 micron



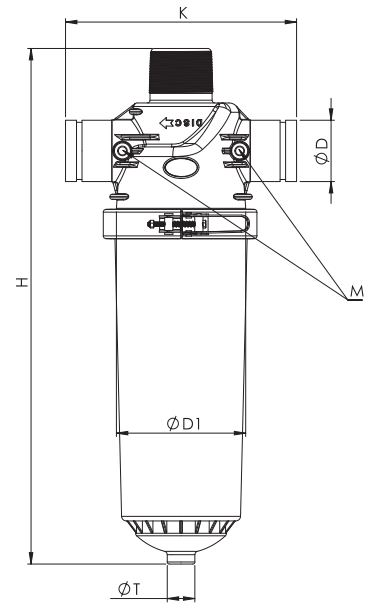
PLASTIC AUTOMATIC SELF CLEANING DISC FILTER



Body material: PA6GFR30
 Cartridge material: PP
 Max working pressure: 8 bar
 Min working pressure: 2 bar
 Max working temperature: 60 °C
 Back flush operation criteria: Time and/or pressure differential
 Back flush controlling unit: Electronic (AC/DC) control
 Filtration degree: 130 micron
 Thread: BSP

*The first digit of the fourth triple group in the product code represents the thread. Set this digit as "N" for NPT orders.

**The second digit of the fourth triple group in the product code represents the filtration degree. Filtration degree options are as follows: (0) 130 micron, (1) 100 micron, (2) 50 micron, (3) 20 micron



Product code	D inch	M inch	T inch	D1 mm	H mm	K mm	Flow m ³ /h	Filtration area cm ²	Clamp	Weight kg
090 DPD M30 B0P 050	3"	¼"	¾"	190	960	340	50	2604	Plastic	11,4
090 DPD M30 B0C 050	3"	¼"	¾"	190	960	340	50	2604	Chrome	11,4
090 DPD M30 B0P 060	3"	¼"	¾"	190	1200	340	60	3610	Plastic	13,6

DOUBLE PLASTIC AUTOMATIC SELF CLEANING DISC FILTER

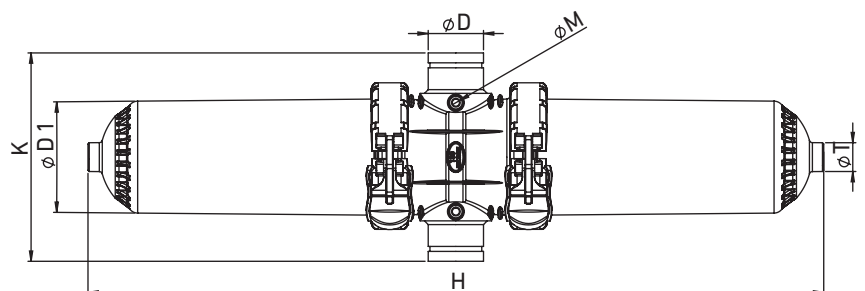


Body material: PA6GFR30
 Cartridge material: PP
 Max working pressure: 8 bar
 Min working pressure: 2 bar
 Max working temperature: 60 °C
 Back flush operation criteria: Time and/or pressure differential
 Back flush controlling unit: Electronic (AC/DC) control
 Filtration degree: 130 micron
 Thread: BSP

Product code	D inch	M inch	T inch	D1 mm	H mm	K mm	Flow m ³ /h	Filtration area cm ²	Clamp	Weight kg
090 DPD M30 B0P 050	3"	¼"	¾"	190	960	340	50	2604	Plastic	11,4
090 DPD M30 B0C 050	3"	¼"	¾"	190	960	340	50	2604	Chrome	11,4
090 DPD M30 B0P 060	3"	¼"	¾"	190	1200	340	60	3610	Plastic	13,6

*The first digit of the fourth triple group in the product code represents the thread. Set this digit as "N" for NPT orders.

**The second digit of the fourth triple group in the product code represents the filtration degree. Filtration degree options are as follows: (0) 130 micron, (1) 100 micron, (2) 50 micron, (3) 20 micron



FILTRATION & FERTIGATION

DISC FILTERS



METAL DISC FILTER

Body material: S195T
 Cartridge material: PP
 Max working pressure: 8 bar
 Max working temperature: 60 °C
 Filtration degree: 130 micron

Product code	Size	Dimensions	Flow
063 FMD 025 220 300	2"	Ø220 x 300 mm	25 m ³ /h
075 FMD 035 220 300	2 ½"	Ø220 x 300 mm	35 m ³ /h
075 FMD 035 220 400	2 ½"	Ø220 x 400 mm	35 m ³ /h
075 FMD 035 220 500	2 ½"	Ø220 x 500 mm	35 m ³ /h
075 FMD 035 220 600	2 ½"	Ø220 x 600 mm	35 m ³ /h
075 FMD 035 220 700	2 ½"	Ø220 x 700 mm	35 m ³ /h
090 FMD 050 220 400	3"	Ø220 x 400 mm	50 m ³ /h
090 FMD 050 220 500	3"	Ø220 x 500 mm	50 m ³ /h
090 FMD 050 220 600	3"	Ø220 x 600 mm	50 m ³ /h
090 FMD 050 220 700	3"	Ø220 x 700 mm	50 m ³ /h
110 FMD 065 220 500	4"	Ø220 x 500 mm	65 m ³ /h
110 FMD 065 220 600	4"	Ø220 x 600 mm	65 m ³ /h
110 FMD 065 220 700	4"	Ø220 x 700 mm	65 m ³ /h



METAL DISC FILTER WITH STAND

Body material: S195T
 Cartridge material: PP
 Max working pressure: 8 bar
 Max working temperature: 60 °C
 Filtration degree: 130 micron

063 FMS 025 220 300	2"	Ø220 x 300 mm	25 m ³ /h
075 FMS 035 220 300	2 ½"	Ø220 x 300 mm	35 m ³ /h
075 FMS 035 220 400	2 ½"	Ø220 x 400 mm	35 m ³ /h
075 FMS 035 220 500	2 ½"	Ø220 x 500 mm	35 m ³ /h
075 FMS 035 220 600	2 ½"	Ø220 x 600 mm	35 m ³ /h
075 FMS 035 220 700	2 ½"	Ø220 x 700 mm	35 m ³ /h
090 FMS 050 220 400	3"	Ø220 x 400 mm	50 m ³ /h
090 FMS 050 220 500	3"	Ø220 x 500 mm	50 m ³ /h
090 FMS 050 220 600	3"	Ø220 x 600 mm	50 m ³ /h
090 FMS 050 220 700	3"	Ø220 x 700 mm	50 m ³ /h
110 FMS 065 220 500	4"	Ø220 x 500 mm	65 m ³ /h
110 FMS 065 220 600	4"	Ø220 x 600 mm	65 m ³ /h
110 FMS 065 220 700	4"	Ø220 x 700 mm	65 m ³ /h



DOUBLE METAL DISC FILTER

Body material: S195T
 Cartridge material: PP
 Max working pressure: 8 bar
 Max working temperature: 60 °C
 Filtration degree: 130 micron

Product code	Size	Dimensions	Flow
063 FDD 035 220 800	2"	Ø220 x 800 mm	35 m ³ /h
075 FDD 050 220 X00	2 ½"	Ø220 x 1000 mm	50 m ³ /h
090 FDD 070 220 X20	3"	Ø220 x 1200 mm	70 m ³ /h
110 FDD 090 220 X40	4"	Ø220 x 1400 mm	90 m ³ /h



DOUBLE METAL DISC FILTER WITH STAND

Body material: S195T
 Cartridge material: PP
 Max working pressure: 8 bar
 Max working temperature: 60 °C
 Filtration degree: 130 micron

063 FDS 035 220 800	2"	Ø220 x 800 mm	35 m ³ /h
075 FDS 050 220 X00	2 ½"	Ø220 x 1000 mm	50 m ³ /h
090 FDS 070 220 X20	3"	Ø220 x 1200 mm	70 m ³ /h
110 FDS 090 220 X40	4"	Ø220 x 1400 mm	90 m ³ /h



HEADQUARTERS

Orhan Gazi Mah. Isiso San. Sit.
15. Yol Y Blok No: 33 34538
Esenyurt, İstanbul, Turkey
+90 212 623 23 08

FACTORY

Organize Sanayi Bölgesi Bursa
Karayolu 6. km. 2. Cd. No: 2
Çanakkale, Turkey
+90 286 214 32 07

Website www.sunstream.com.tr | **Support** info@sunstream.com.tr

© 2022 İSKO Plastik ve Kalıp San. Tic. A.Ş.